

# 2100SJ

## MEGA TELESCOPIC BOOM LIFT



- The world's largest self-propelled telescopic boom lift
- 5 steering modes, including lateral drive for exceptional maneuverability
- Industry-leading outreach
- Secondary platform controls for precise positioning
- Patent pending design

 **snorkel**<sup>™</sup>  
[www.snorkellifts.com](http://www.snorkellifts.com)

# MEGA TELESCOPIC BOOM LIFT

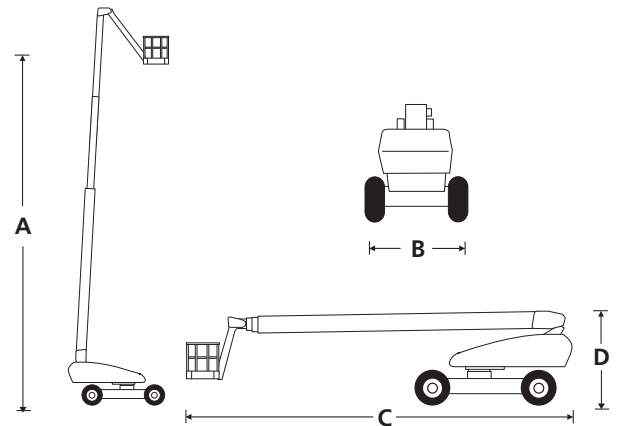
# 2100SJ

DIMENSIONS	2100SJ*
Max. working height	66.0m
Max. platform height (A)	64.0m
Max. horizontal reach	30.5m
Platform size	2.4m x 0.9m
Overall width (B)	2.5m
Operational width (extended)	5.5m
Stowed length (C)	14.9m
Stowed height (D)	3.0m
Ground clearance	0.2m

PERFORMANCE	
Platform capacity (SWL) (unrestricted)	300kg
Platform capacity (SWL) (restricted)	453kg
Max. drive height	64.0m
Max. wind speed	12.5m/s
Max. drive speed (stowed)	4.3km/h
Max. drive speed (elevated)	0.2km/h
Jib length	9.1m
Jib working arc	-55° to +73°
Platform rotation	150°
Superstructure rotation (continuous)	360°
Tailswing (axles retracted)	2.8m
Tailswing (axles extended)	1.3m
Raise/lower time	6.5/7 min
Gradeability	35%
Inside turning radius (axles retracted)	3.0m
Inside turning radius (axles extended)	2.5m
Outside turning radius (axles retracted)	4.9m
Outside turning radius (axles extended)	6.4m
Tyres	445/50-710 foam filled 24 ply
Controls	proportional joystick
Drive system	4 wheel drive

POWER	
Power source	Deutz TCD 2.9L 74hp - Tier 4 Final

WEIGHT	
Weight	36,300kg



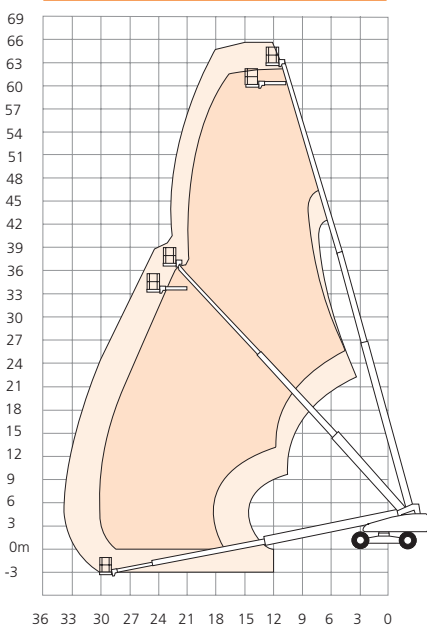
## STANDARD FEATURES

- Snorkel Guard™ secondary guarding system
- Four wheel drive
- Secondary platform controls
- 5 steering modes – front axle, rear axle, crab, complementary & lateral
- All proportional controls
- Remote lower control panel
- Tool tray
- Hydraulic platform rotation
- 360° continuous turntable rotation
- Flashing amber light
- Dual lanyard attachment points
- Foam filled tyres
- Power line to platform
- 2 year parts & labour, 5 year structural warranty
- CE compliant

## OPTIONS

- Special paint colours
- Airline to platform
- Non-marking tyres
- AC generator 110V/220V 2kW
- 100hp engine option
- Pressure washing package
- 10kW generator package
- 10kW generator/welder package
- Cold weather package
- Extreme cold weather package
- Extreme environment package
- Light package
- Glazier package
- Environmental hydraulic oil

## WORKING ENVELOPE



CE Specification  
© Snorkel 2020

Specifications subject to change without notice. Photos and diagrams in this brochure are for promotional purposes only. Refer to appropriate Snorkel operators manual for detailed instructions on the proper use and maintenance.  
\*Preliminary specifications – confirm at time of ordering.

02/2020

## snorkel

**SCHULER & SCHULER AG**

HEBE- UND TRANSPORTTECHNIK

CH-6405 Immensee (SZ) [contact@schuler-schuler.ch](mailto:contact@schuler-schuler.ch)

Telefon +41 41 854 7000 Telefax +41 41 854 7001

[www.schuler-schuler.ch](http://www.schuler-schuler.ch)